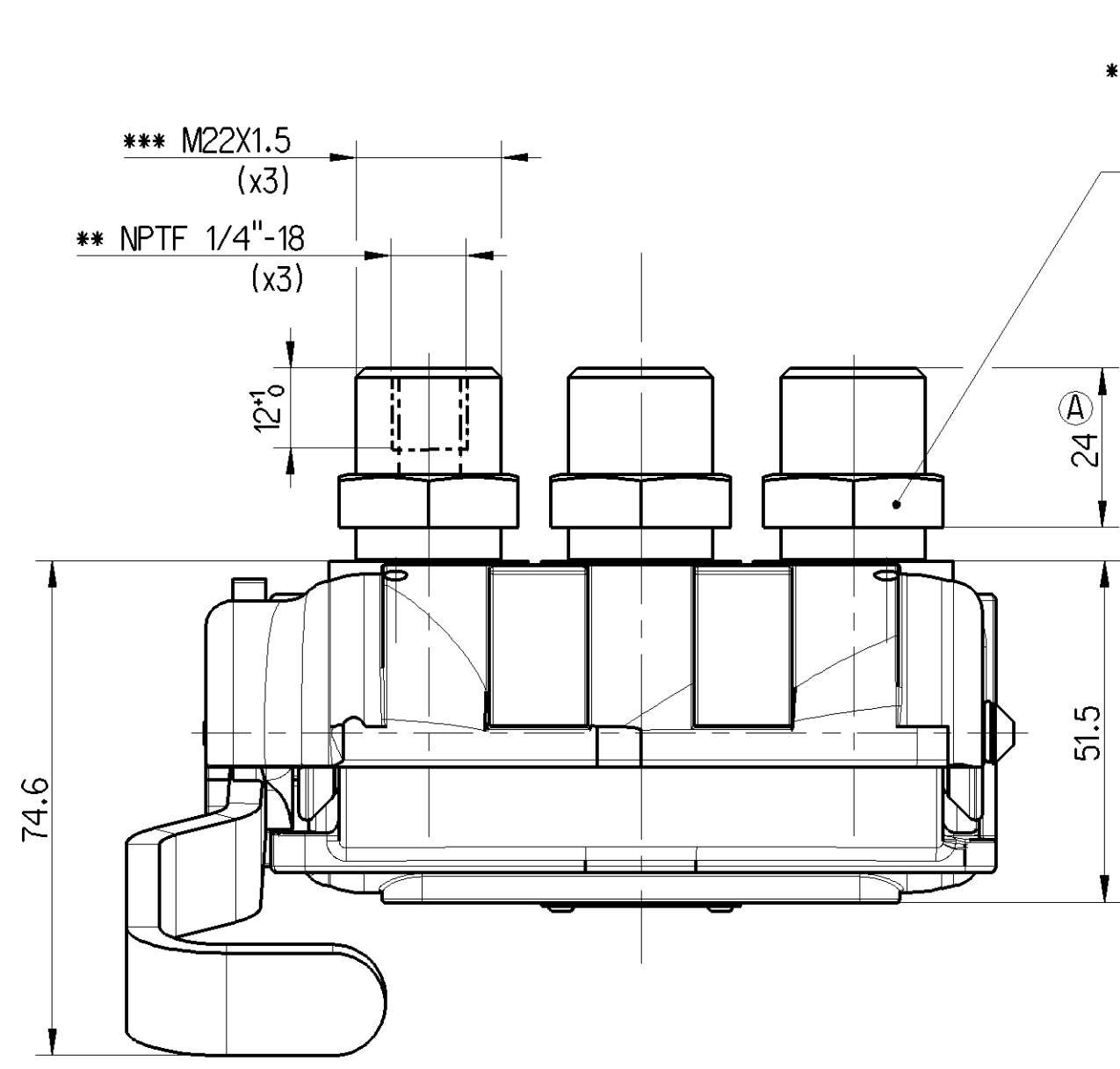
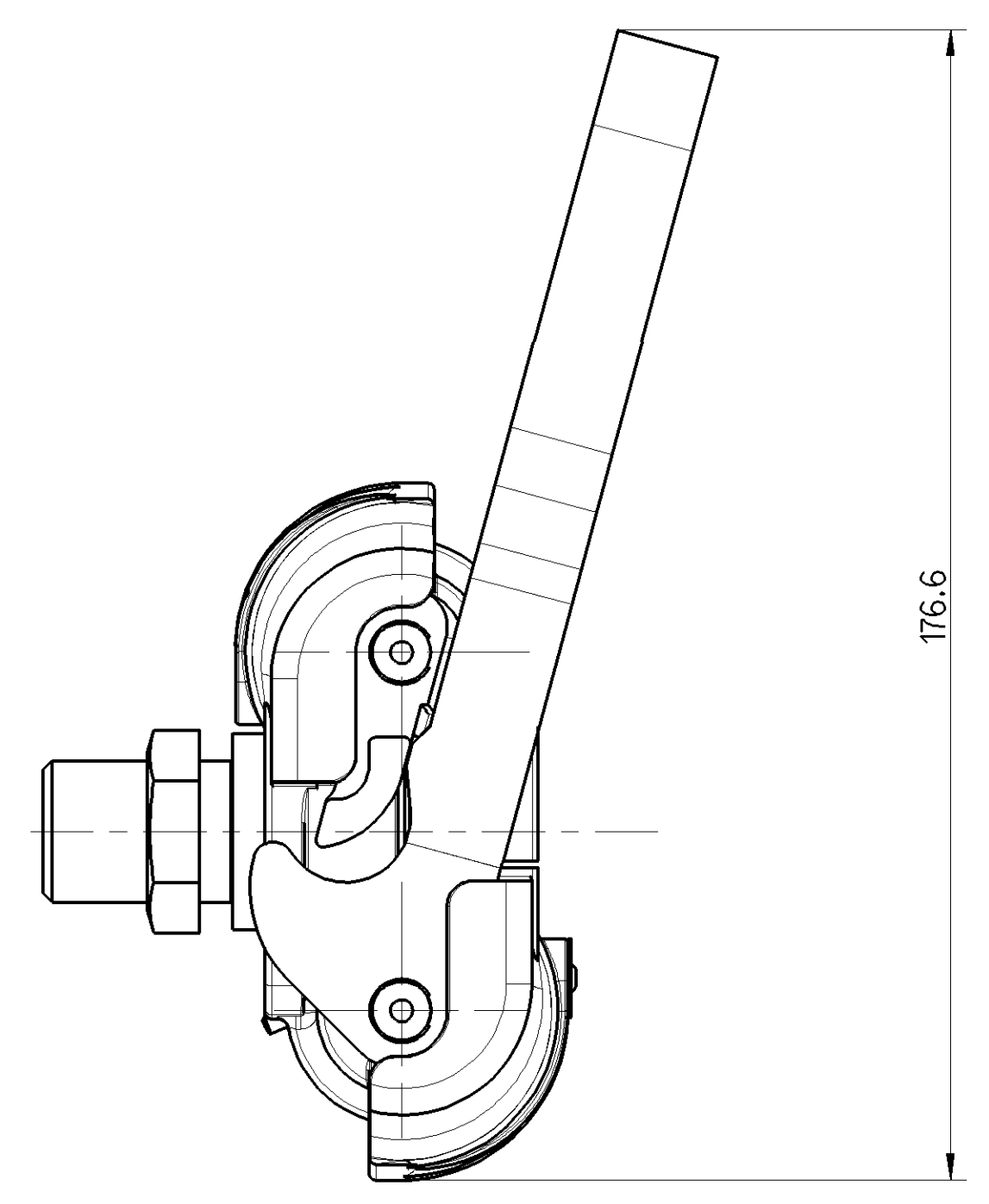
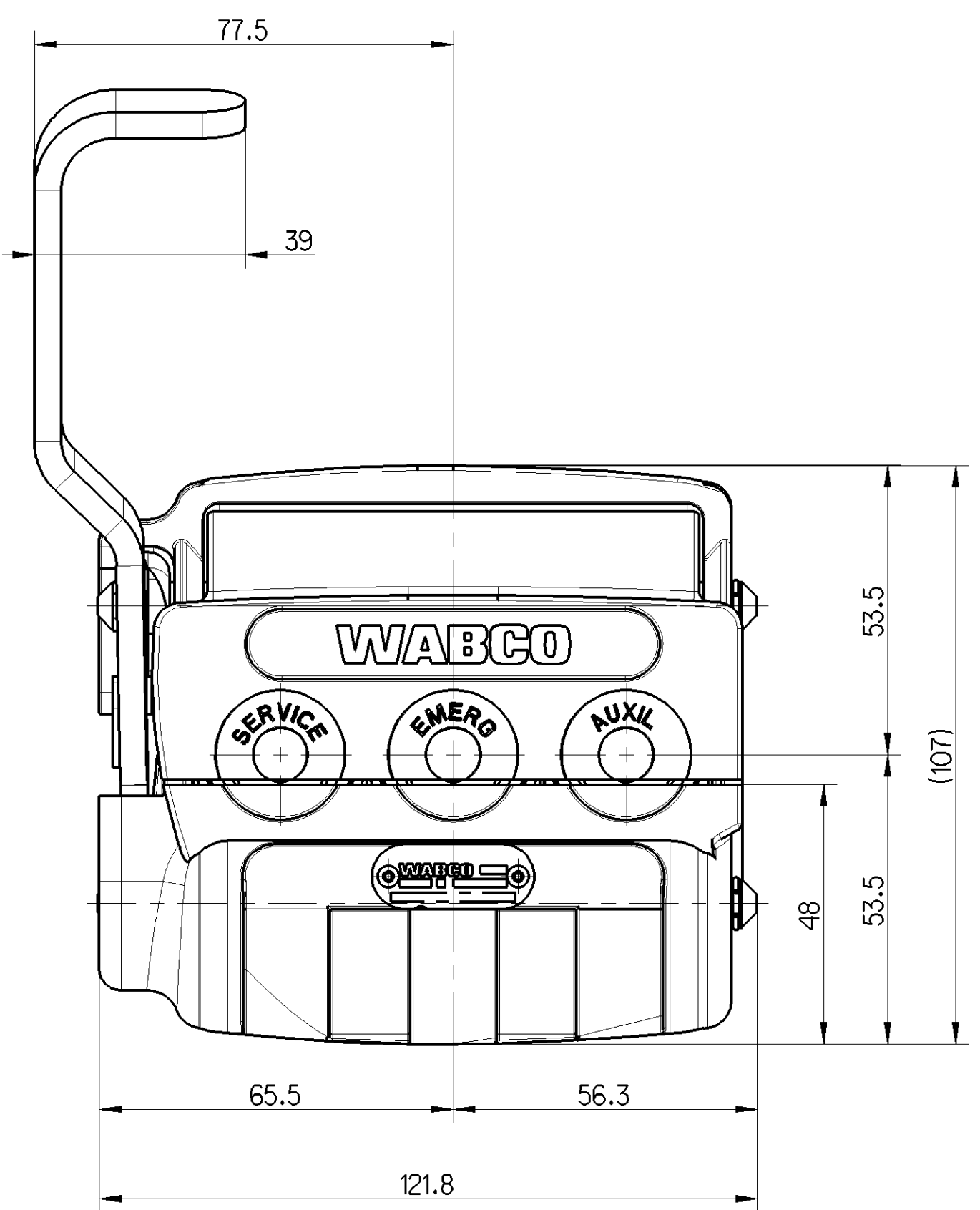
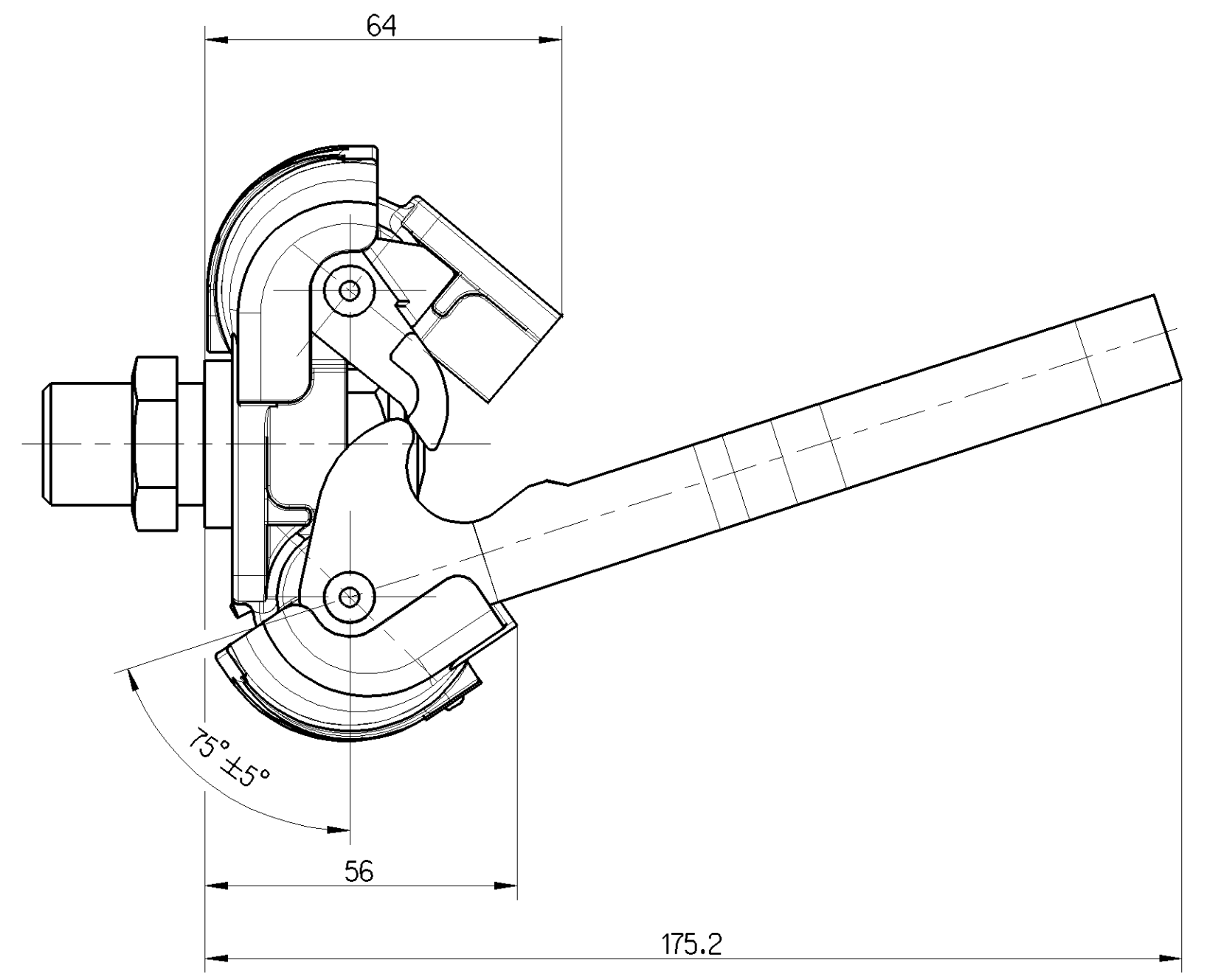


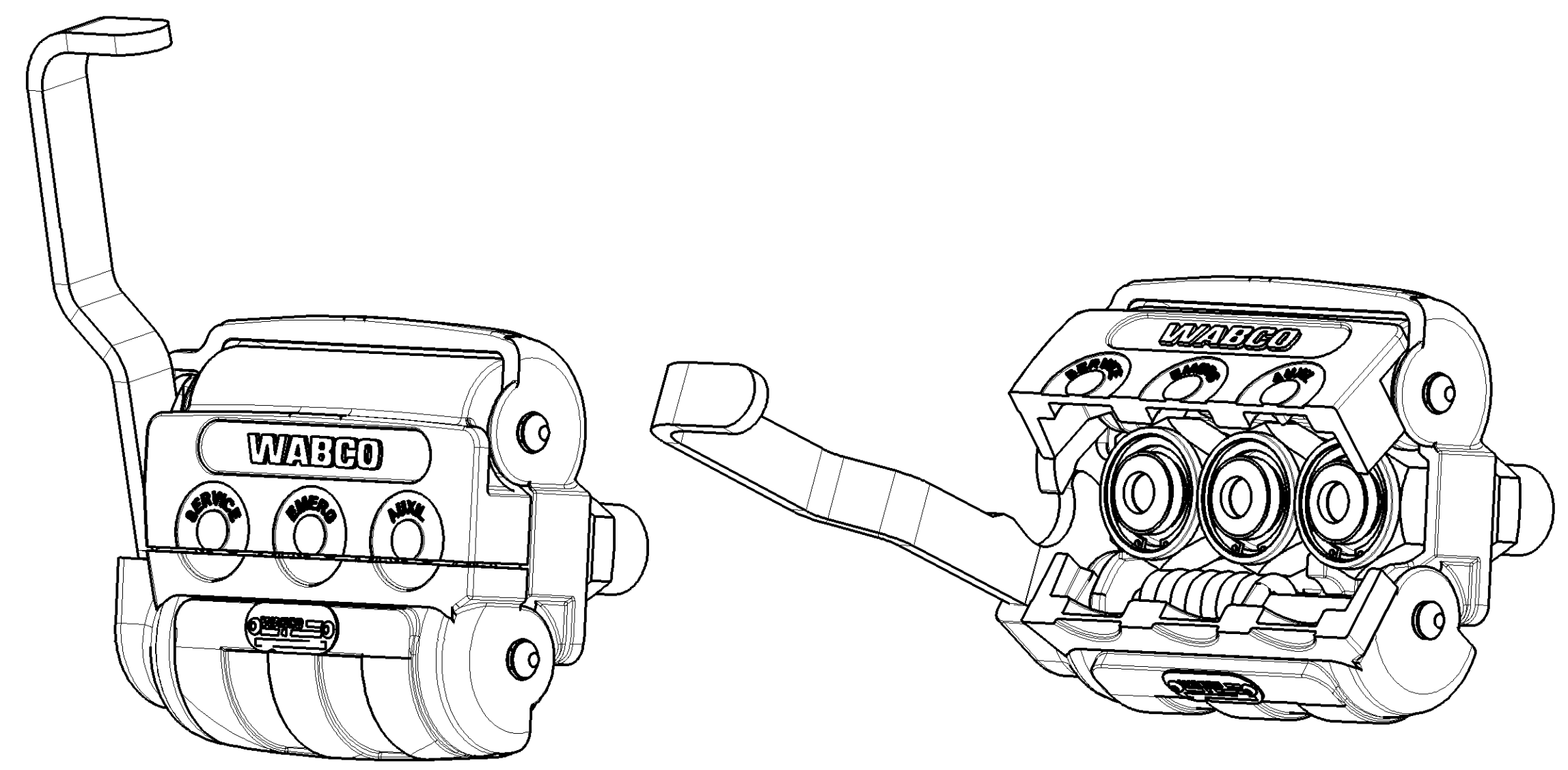
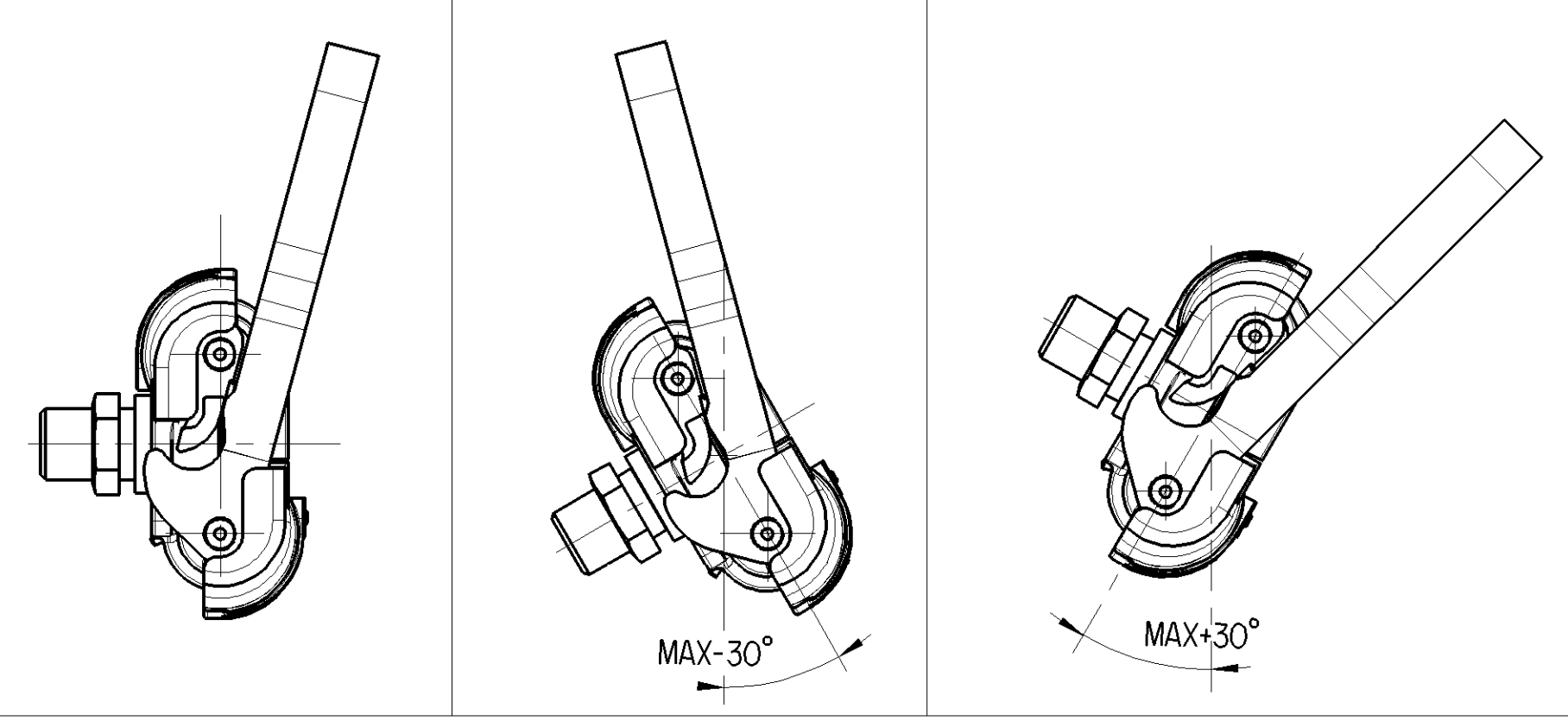
A	WORKING MEDIUM ARBEITSMEDIUM FLUIDE D'UTILISATION FLUIDO DI ESERCIZIO	AIR LUFT (JED-848) AIR ARIA
B	SHORT TERM RESISTANCE TO HEAT KURZZEITIGE WAERMEBESTAENDIGKEIT RESISTANCE THERMIQUE TEMPORAIRE RESISTENZA TERMICA PER BREVE PERIODO	MAX. 1h AT 110°C
B	THERMAL RANGE OF APPLICATION THERMISCHER ANWENDUNGSBEREICH GAMME D'APPLICATION THERMIQUE CAMPO DI APLICAZIONE TERMICA	-40°C...+80°C
C	WORKING PRESSURE (SUPPLY) BETRIEBSDRUCK (VORRAT) PRESSIONE DE SERVICE (ALIMENTATION) PRESSIONE DI ESERCIZIO (ALIMENTAZIONE)	10 BAR
C	TORQUE ANZUGSMOMENT * (SW27) COUPLE DE SERRAGE COPPIA DI SERRAGGIO	45±5 Nm
C	TORQUE ANZUGSMOMENT ** (NPTF) COUPLE DE SERRAGE COPPIA DI SERRAGGIO	SEE JED-686
D	TORQUE ANZUGSMOMENT *** (M22X1.5) COUPLE DE SERRAGE COPPIA DI SERRAGGIO	max. 70Nm (EXCEPT SW27)
D	SERVICE CONDITION BETRIEBSART CONDITION DE SERVICE CONDIZIONE DI SERVIZIO	CONTINUOUS SERVICE DAUERBETRIEB SERVICE CONTINU SERVIZIO CONTINUO
E	MAINTENANCE REQUIREMENTS WARTUNGSANFORDERUNGEN ENTRETIEN MANUTENZIONE	NONE KEINE NON NON
E	PORT FOR EMERGENCY ANSCHLUSS FUER VORRATSLEITUNG ORIFICE POUR LIGNE D'URGENCE ORIFIZIO PER LINEA D'EMERGENZA	1
F	PORT FOR SERVICE LINE ANSCHLUSS FUER BREMSLEITUNG ORIFICE POUR SERVICE LIGNE ORIFIZIO PER SERVIZIO LINEA	4
F	PORT FOR AUXILIARY LINE ANSCHLUSS FUER NEBENLEITUNG ORIFICE POUR AUXILIAIRE LIGNE ORIFIZIO PER AUSILIARIA LINEA	AUXIL



* WIDTH ACROSS FLATS
SCHLUESSELWEITE SW27
SURPLATS
LARGHEZZA IN CHIAVE



INSTALLATION POSITION RANGE
EINBALLGEBEREICH MAX±30°
POSITION D'INSTALLATION GAMME
POSIZIONE DI MONTAGGIO CAMPO



General Specifications: JED-334-0		Copyright WABCO®		WABCO	
Further Technical Data: 452 806 000 0		Date	Drawn	Signature	
Doc. Code: 025	Sheet: To	2014-09-09	Piskadlo		
General Tolerances JED-261		Checked	Szyska		
Range of Nominal Dimensions (± mm)		Expert	Piskadlo	(A)	
Class	1) ≤ 50	> 50	> 180	> 400	Δ
Fine	0.5	1.0	1.5	2.0	
Medium	X 1.0	2.0	3.0	4.0	±3%
Coarse	2.0	3.5	5.0	6.5	
Metric tapped holes acc. JED-152		Material No.	452 806 000 0		Date of first issue: 2011-12-21
1) Tolerance Class Applied Crossmarked		Doc. Code	Language	Sheet	
A 1	Pro/E	163877	2x	A	005 ML 1/1
		Revision	Techn. Resp.	Replacement for	
		5711			

Non è permesso copiare o riprodurre questo documento, né utilizzare il contenuto o i dati contenuti in esso, senza permesso scritto dalla WABCO. Toute réimpression ou reproduction de ce document, toute exploitation ou communication de son contenu sont interdites, sauf autorisation écrite de la WABCO. Toute utilisation de ce document ou de ses données sans la permission écrite de la WABCO est formellement interdite. This document and its contents are copyright © WABCO. All rights reserved. No part of this document may be reproduced, stored in a retrieval system, or transmitted, in any form or by any means, without the prior written permission of WABCO.