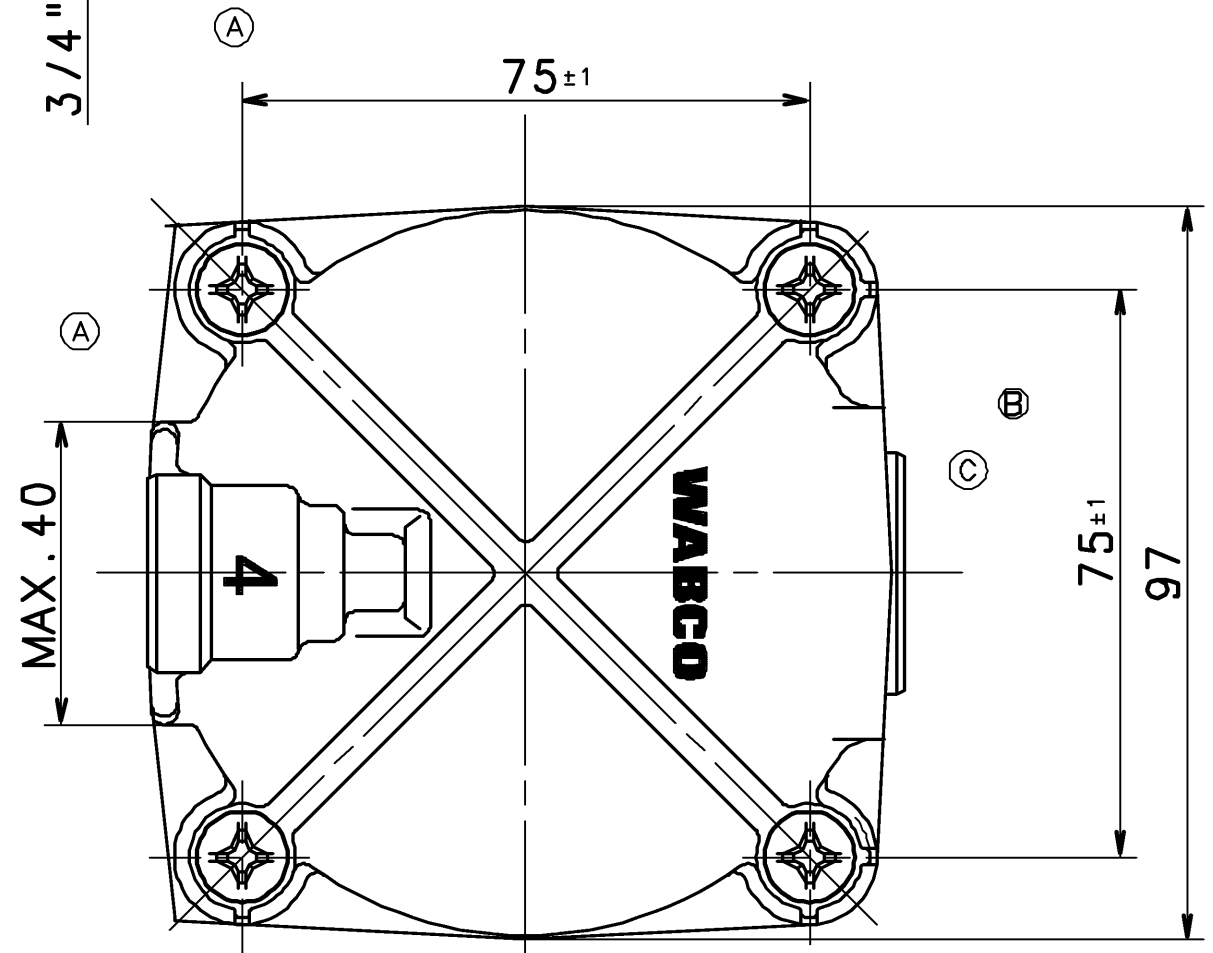
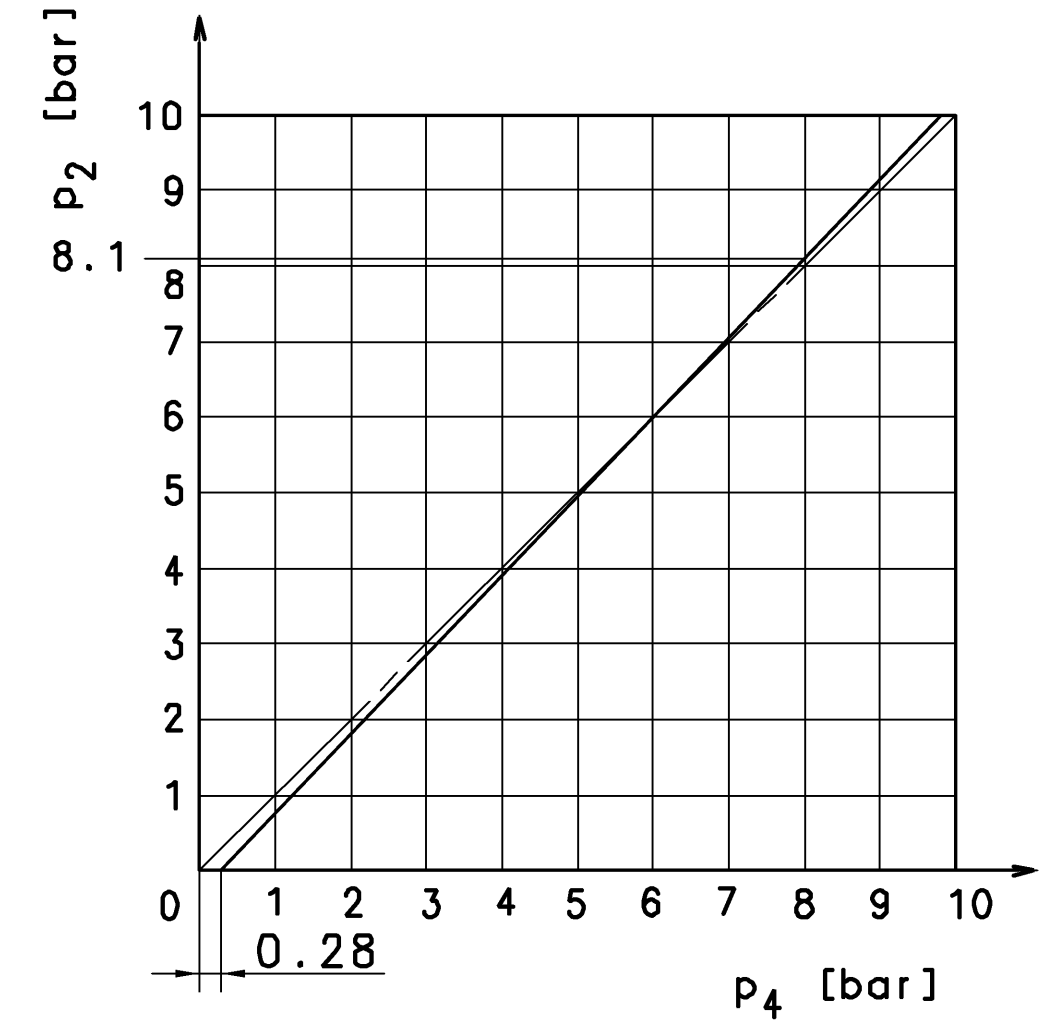
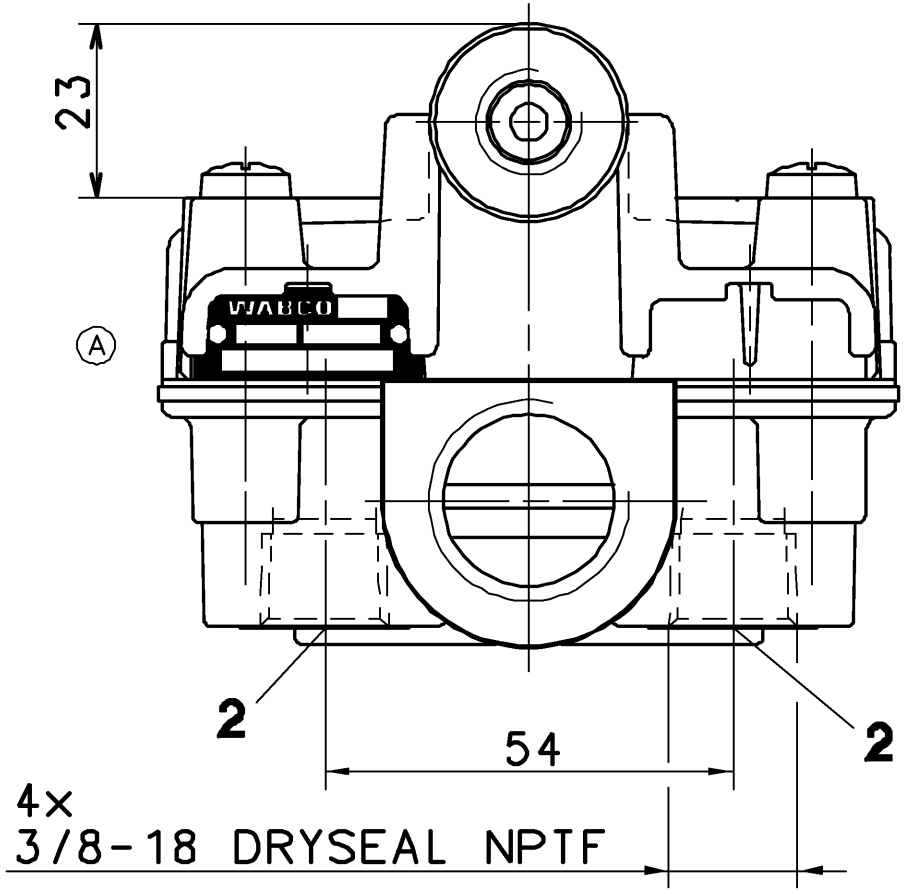
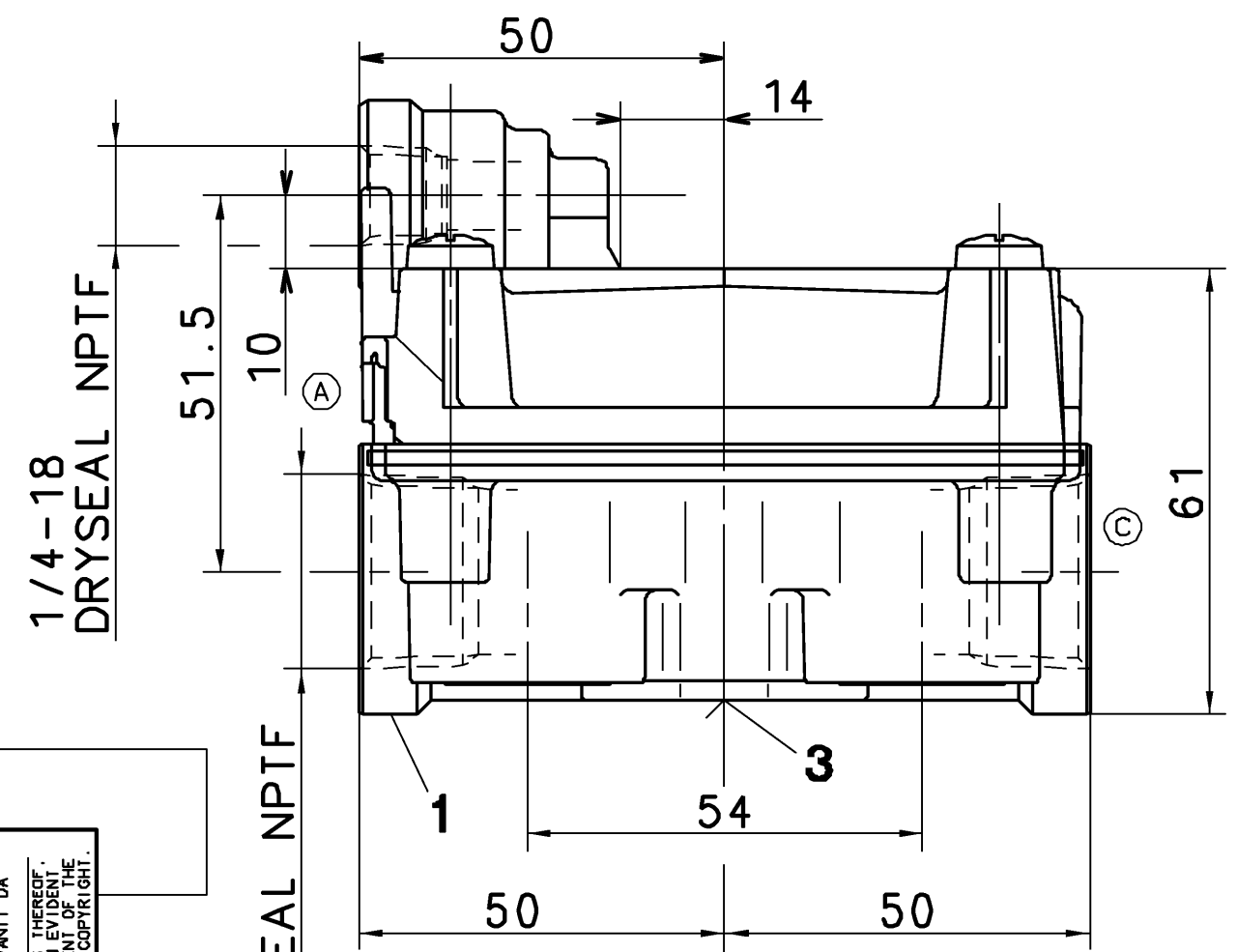


NON È PERMESSO CONSERVARE A LERZI O RIPRODURRE QUESTO DOCUMENTO, NE UTILIZZARNE IL CONTENUTO O REN-
 DERNE ACCESSIBILE IN QUALSIASI MODO, IN TUTTI I DIRITTI DERIVANTI DA
 BREVETTI O MODELLI.
 COPIING OF THIS DOCUMENT AND ITS CONTENTS, INCLUDING THE USE OF INFORMATION CONTAINED HEREIN, IS
 EXPRESSLY PROHIBITED WITHOUT THE WRITTEN PERMISSION OF WABCO. ALL RIGHTS ARE RESERVED IN THE EVENT OF THE
 GRANT OF PATENT OR REGISTRATION OF A UTILITY MODEL OR DESIGN. THIS DOCUMENT IS THE SUBJECT OF COPYRIGHT.
 TOUTE COMMUNICATION OU REPRODUCTION DE CE DOCUMENT, TOUTE EXPLOITATION OU COMMUNICATION DE SON CONTE-
 NU, EN TOUT ET EN PART, EST EXPRESSÉMENT INTERDITE, EN TOUTS DROITS DE PROPRIÉTÉ
 INDUSTRIELLE RÉSERVÉS, NOTAMMENT EN MATIÈRE DE BREVETS ET DE MODÈLES.
 WERTERGÄBE SOWIE Vervielfältigung dieses Unterlages, Vervielfältigung und Mitteilung ihrer Inhalte, nicht
 missrächlich dar und verpflichtet zu Schadensersatz. Alle Rechte für den Fall der Patenterteilung oder
 Gebrauchsmuster-Eintragung vorbehalten.



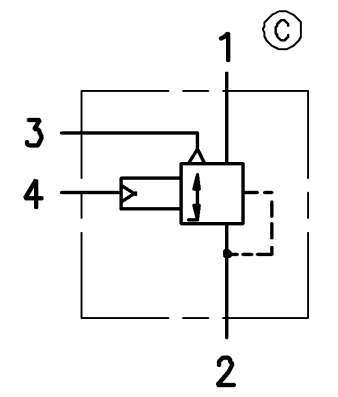
- 1** SUPPLY
VORRAT
ALIMENTATION $MAX. p_e = 13bar$
ALIMENTAZIONE
- 2** DELIVERY PRESSURE
AUSGESTEUERTER DRUCK
PRESSION DELIVREE
PRESSIONE EROGATA
- 3** EXHAUST
ENTLUEFTUNG
ECHAPPEMENT
SCARICO
- 4** CONTROL PRESSURE
STEUERDRUCK $MAX. p_e = 10bar$
PRESSION DE COMMANDE
PRESSIONE DI COMANDO

MEDIUM: AIR
 MEDIUM: LUFT
 FLUIDE: AIR
 FLUIDO: ARIA

PERMISSIBLE INSTALLATION
 ZULAESSIGE EINBAULAGE $\pm 90^\circ$
 POSITION D'INSTALLATION ADMISE
 POSIZIONE DI MONTAGGIO AMMESSA

THERMAL RANGE OF APPLICATION:
 THERMISCHER ANWENDUNGSBEREICH:
 GAMME D'APPLICATION THERMIQUE: $-40^\circ \dots +80^\circ C$
 CAMPO DI APPLICAZIONE TERMICA:

TORQUE FOR CONNECTIONS:
 ANZUGSMOMENT FUER EINSCHRAUBSTUTZEN:
 COUPLE DE SERRAGE DES RACCORDS:
 COPPIA DI SERRAGGIO DEI RACCORDI:



GENERAL SPECIFICATION: JED-334		CADAM-DRAWING COPYRIGHT		WABCO																											
FURTHER TECHNICAL DATA:		DATE: _____ SIGNATURE: _____		DRAWN: 94-12-14 ELZE/ME.																											
DOC. CODE: _____ SHEET: 10		CHECKED: 94-12-19 KIEL/DEI.		STANDARDIZATION: 94-12-20 BRAUN																											
GENERAL TOLERANCES		MASS: 0.78 KG		SCALE: 1:1 (2:1)																											
<table border="1"> <thead> <tr> <th rowspan="2">CLASS 1)</th> <th colspan="4">RANGE OF NOMINAL DIMENSIONS (± mm)</th> <th rowspan="2">Δ</th> </tr> <tr> <th>≤50</th> <th>>50 ≤180</th> <th>>180 ≤400</th> <th>>400</th> </tr> </thead> <tbody> <tr> <td>FINE</td> <td>0,5</td> <td>1,0</td> <td>1,5</td> <td>2,0</td> <td rowspan="3">± 3'</td> </tr> <tr> <td>MEDIUM</td> <td>1,0</td> <td>2,0</td> <td>3,0</td> <td>4,0</td> </tr> <tr> <td>COARSE</td> <td>2,0</td> <td>3,5</td> <td>5,0</td> <td>6,5</td> </tr> </tbody> </table>		CLASS 1)	RANGE OF NOMINAL DIMENSIONS (± mm)				Δ	≤50	>50 ≤180	>180 ≤400	>400	FINE	0,5	1,0	1,5	2,0	± 3'	MEDIUM	1,0	2,0	3,0	4,0	COARSE	2,0	3,5	5,0	6,5	PRODUCT IDENTIFICATION NO. 973 011 006 0		DOC. CODE: 005 SHEET: 1/1	
CLASS 1)	RANGE OF NOMINAL DIMENSIONS (± mm)				Δ																										
	≤50	>50 ≤180	>180 ≤400	>400																											
FINE	0,5	1,0	1,5	2,0	± 3'																										
MEDIUM	1,0	2,0	3,0	4,0																											
COARSE	2,0	3,5	5,0	6,5																											
TAPPED HOLES ACC. ISO 4039 / JED-152		058175 4xA 95-12-15		REPLACEMENT FOR																											
1) TOLERANCE CLASS APPLIED CROSSMARKED		DGN.-NO. REV. DATE		SHAPE CODE																											